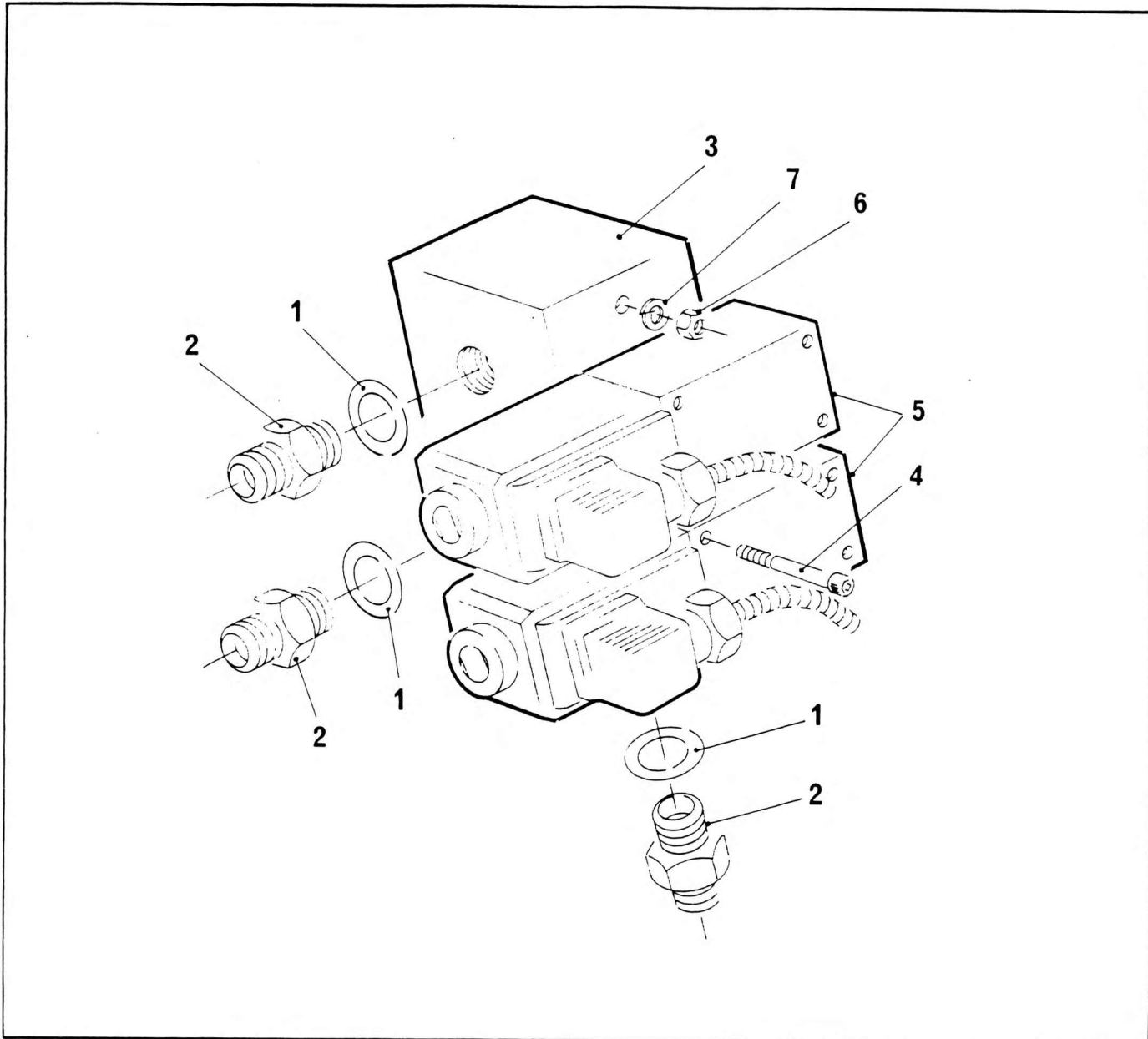


OUTRIGGER VALVE ASSEMBLY



NO.	PART NO.	QTY.	DESCRIPTION	NO.	PART NO.	QTY.	DESCRIPTION
1	7355204	3	Bonded Seal $\frac{3}{8}$ " BSP				
2	7-443-990912	3	Adaptor $\frac{3}{8}$ " BSP				
3	8865844	1	Manifold Block				
4	7097615	8	Socket Head Capscrew M5 x 50 Long				
5 +	8353988	2	Control Valve (Control Valve)				
6	7069201	8	Nut Hex M8				
7	7067115	8	Spring Washer M8				

+ See further breakdown in this group